

NO DIG *Equipment*

The Trenchless Technology Specialists



Vacuum Excavator VM500

Three Stage filtration system

Our VM range of Vacuum Excavators are incorporated with a three stage filtration system, including a cyclonic dust separation unit, with a 5 micron washable poly filter element. This three stage filtration system is a very efficient dust separation process, which minimises the frequency of filter cleaning.

Powerful positive displacement blower

High level continuous flow vacuum pump, without the need to prime or need for the inlet hose to be submerged. Ideal for potholing, service locating, mud removal or general cleaning.

Acrylic Urethane Paint

We use Acrylic Urethane Paint, which is a premium quality, high performance paint, adding extra years to the life of our Vacuum Excavators and offers the best protection against our harsh Australian climate.

High pressure water system

Set at 2500psi, these small yet powerful triplex piston pumps enable you to quickly and safely pothole to determine the exact location of underground utilities and drilling equipment.

What type of work can you do with a Vacuum Excavator VM500?

- Cleaning Telstra pits
- Underground service locating
- Clean up construction sites
- Install fence posts
- Live gas pipe maintenance
- Live sewer pipe maintenance
- Installing NBN optical fibre through asbestos pipe
- and much more

VM500 Vacuum Excavation Machines include;

- Self contained skid, or trailer mounting
- 23.5Hp Kohler Petrol or 26.1Hp Kohler Diesel
- 3" dia Vacuum Suction Hose x 7m long
- 500 Litre Spoil Tank
- 550cfm Blower, producing ultra efficient vacuum
- 2500psi High Pressure Triplex Water Pump

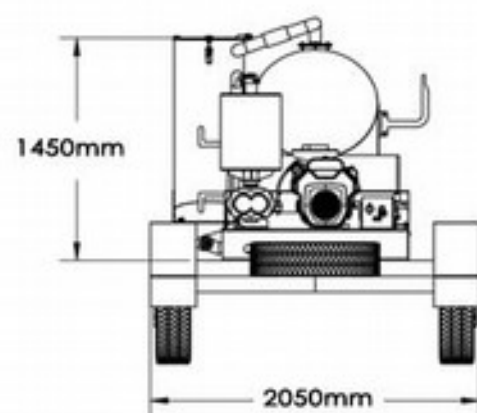
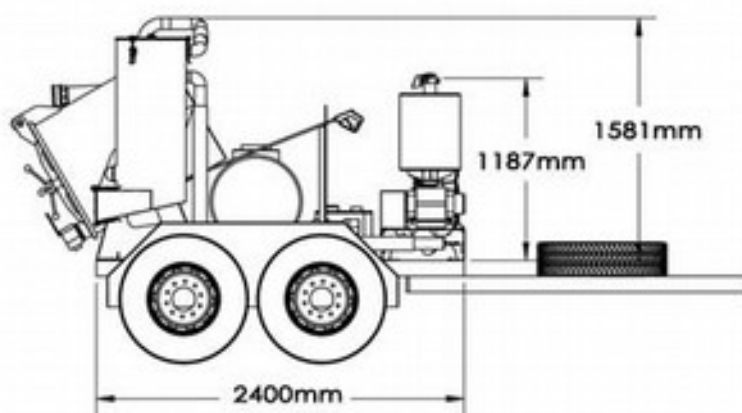
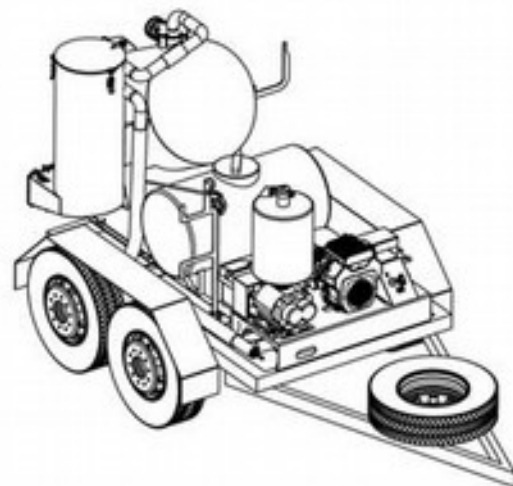
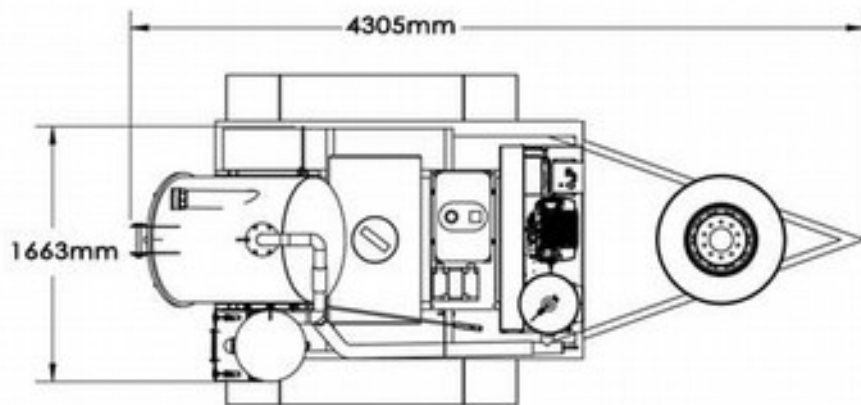
Small Vacuum System Trailer or small truck mounted



VM500 Petrol Unit on Skid



VM500 Petrol Unit on Trailer



VM500 Vacuum Excavator

Vacuum System	550 CFM blower, c/w- 3" dia hose (15"Hg)
Petrol Engine	23.5 Hp Kohler Command Pro CH730
Spoil Tank	500 Litre, fixed @ 30°
High Pressure Water Pump	2500psi
Clean Water Tank	250 Litre

Optional Extras

Diesel Engine	26.1Hp Kohler KDW1003
Trailer Mount	2T (towable by any ute)
Skid Frame	c/w- forklifting points
Double Jet Digging Wand	6.5" dia (165 mm) head
Hose Reel	20m or 50m of high pressure hose
HEPA Filter Unit	2 micron, Class H 13 rated



NO DIG *Equipment*

The Trenchless Technology Specialists



NO DIG *Equipment*

The Trenchless Technology Specialists

Address: 15 Wildfire Rd, Maddington WA 6109

Postal: PO Box 2, Maddington WA 6989

Ph : 08 9493 0642

Fx : 08 9493 0672

www.NoDigEquipment.com.au

sales@NoDigEquipment.com.au